

# WOCD Install Guide

Window Opening Control Device

visionär window systems

## Included in package:

1 x WOCD

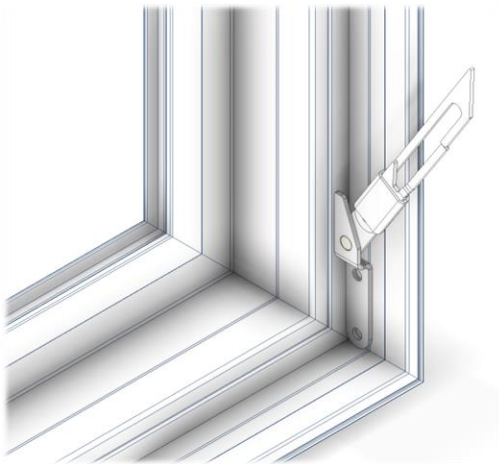
4 x Install Screws

## Tools needed:

- Philips-Head Drill
- Measuring Tape

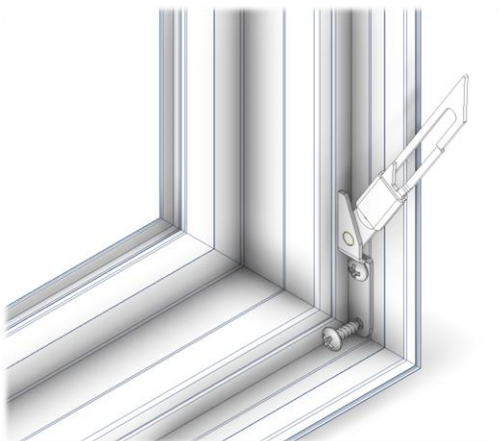
### Step 1:

Place the bottom WOCD arm onto the frame at the bottom of the hinge cavity on the opening side of the window.



### Step 2:

Screw it into place using 2 of the screws provided.



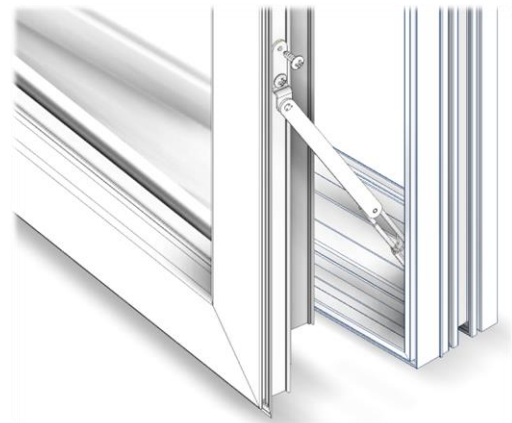
### Step 3:

Place the top sash WOCD arm onto the hinge cavity of the opening side of the sash so that the top of the WOCD is 12 1/4" up from the sill of the sash.



### Step 4:

Screw the WOCD arm into place using 2 of the screws provided.



### Step 5:

Open the sash WOCD arm. Open and close the window to ensure smooth operation.

